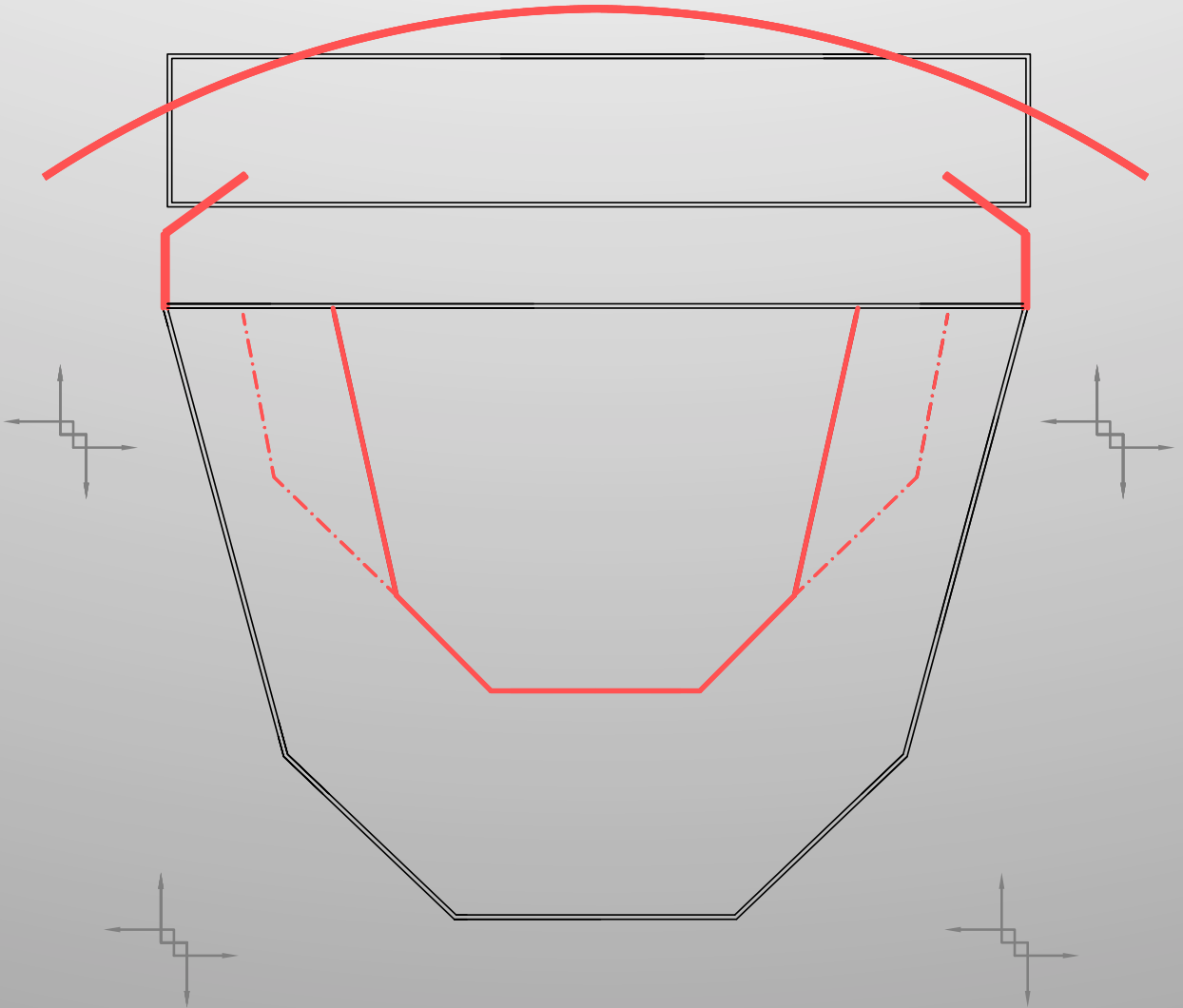




Prithvi Theatre



-
-
- 1) Name of Play -
 - 2) Name of Group -
 - 3) Name of Light designer -
 - 4) Name of Light operator
 - 5) Name of Director -

